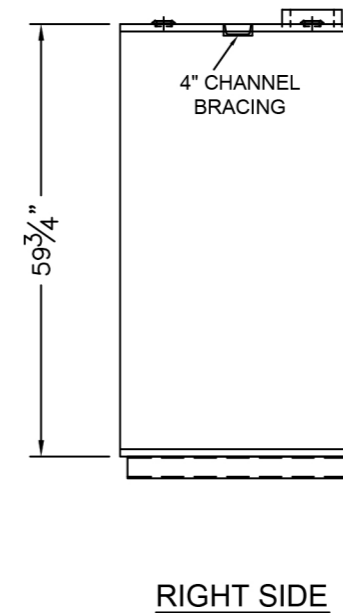
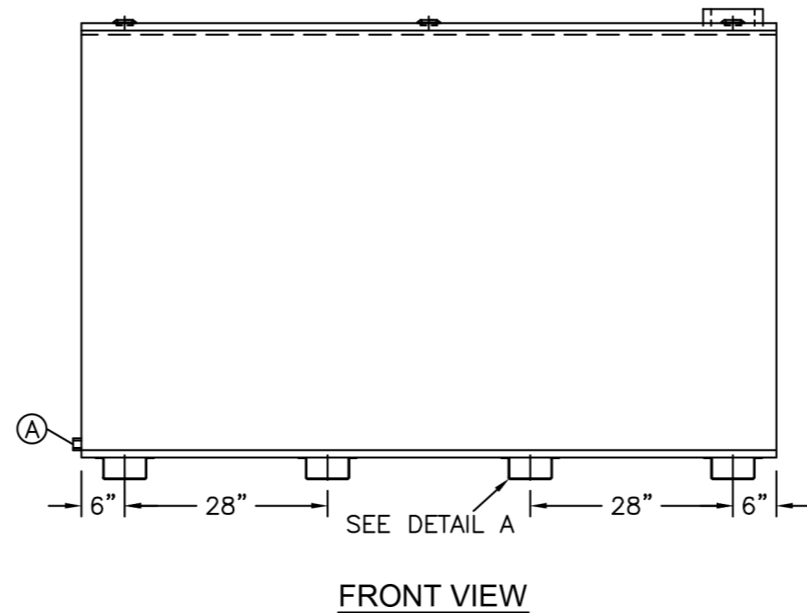
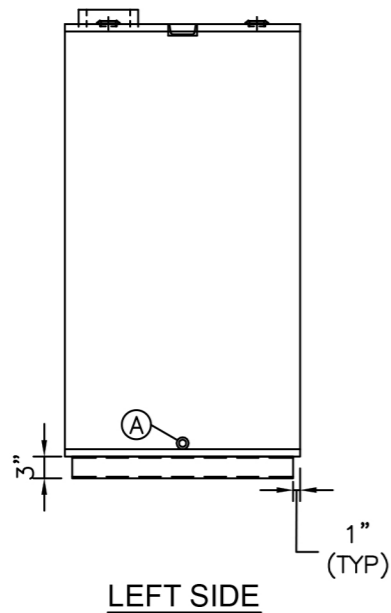
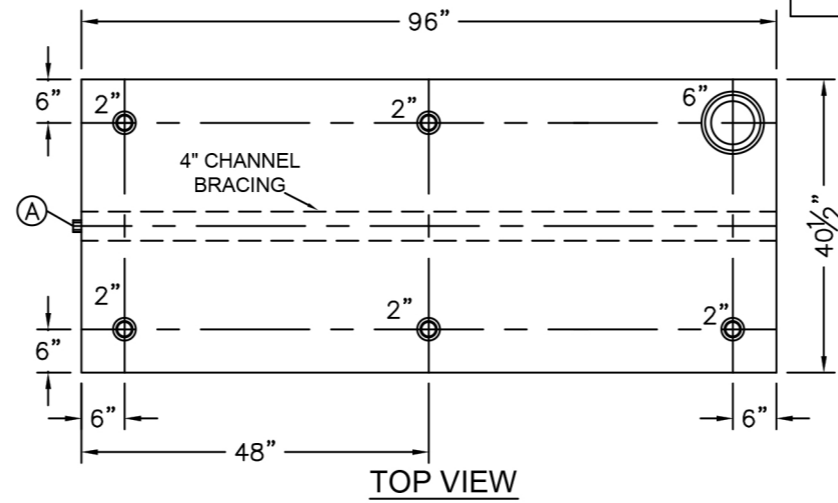
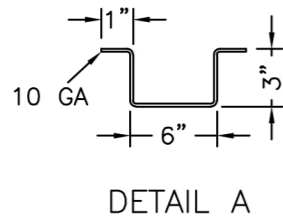


| NOZZLE SCHEDULE |      |        |         |      |         |          |                        |
|-----------------|------|--------|---------|------|---------|----------|------------------------|
| ITEM            | SIZE | RATING | TYPE    | MATL | PROJ IN | PROJ OUT | REMARKS                |
| A               | 3/4" | N.P.T. | W.F.    | C.S. | STD.    | STD.     | DRAIN                  |
| B               | 2"   | N.P.T. | W.F.    | C.S. | STD.    | STD.     |                        |
| C               | 6"   | N.P.T. | H. CPL. | C.S. | STD.    | STD.     | EMERGENCY VENT OPENING |



**NOTES:**

- A. Quantity:
- B. Material: H.R. Carbon Steel
- C. Tank: 10 GA w/ 10 GA Top.
- D. Design & Operating Pressure: Atmospheric.
- E. Design & Operating Temperature: Ambient.
- F. Tank to be Built & Labeled per U.L. Spec. #142.
- G. Tank to Bear Manufacturers & U.L. Labels Only.
- H. Tank to be Air Tested with Water & Soap Suds Solution.
- I. Interior: Remove Weld Slag (Ship Clean & Dry).
- J. Exterior: Gray primer included; see Sales Order for top coat.
- K. All Fittings to be Protected for Shipment.
- L. Customer has the Responsibility to Verify All Dimensions.

\*All pages of this Schedule A are incorporated by reference and are a part of the additional terms of the Master Terms & Conditions of Sale.

**APPROVAL FOR CONSTRUCTION**  
 SCHEDULE A - MASTER TERMS & CONDITIONS OF SALE\*

APPROVED AS DRAWN.

APPROVED WITH NOTED CHANGES, CONSTRUCTION WILL BE SCHEDULED WHEN SIGNED DRAWING AND CONFIRMED ORDER ARE RECEIVED.

SIGNATURE \_\_\_\_\_

DATE: \_\_\_\_\_

SALES ORDER # \_\_\_\_\_

**JME ELLSWORTH**  
A John H. Ellsworth Company

VESSEL DESCRIPTION:  
 1000 GALLON RECTANGULAR UL 142 SINGLE WALL TANK

CUSTOMER: \_\_\_\_\_ P.O.# \_\_\_\_\_

DATE: \_\_\_\_\_ SCALE: \_\_\_\_\_ DWG.# NEFTSBS1000 DRAWN BY: TC  
 CHKD. BY: TB